

PedTec™ Accessories and Integration Application

Please email completed form to: customerservice@cntrline.com

Customer Information

Contact Name

Company

Phone

Email

Disclaimer: It is the sole responsibility of the customer to provide accurate information, including tolerances.

WG Stand



WG 500
WG 750
WG 1500

QTY

COLOR

Risers 6"x6" for WG Stands



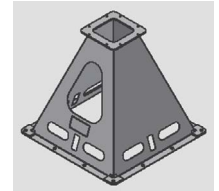
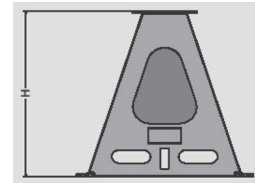
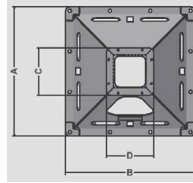
200 mm high
400 mm high
600 mm high

QTY

COLOR

Dimensions for WG Stands

WG Stand	A (mm)	B (mm)	C (mm)	D (mm)	H (mm)
WG 500	665	665	292	292	500
WG 750	800	800	292	292	750
WG 1500	800	800	292	292	1500



GP 700 Stand



GP700

QTY

COLOR

Risers 4"x4" for GP700 Stands



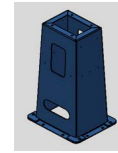
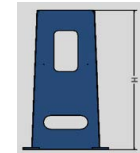
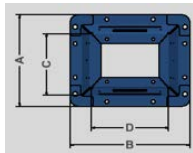
200 mm high
300 mm high
400 mm high

QTY

COLOR

Dimensions for GP 700 Stands

GP Stand	A (mm)	B (mm)	C (mm)	D (mm)	H (mm)
GP700	327	220	393	253	700



TS Stand



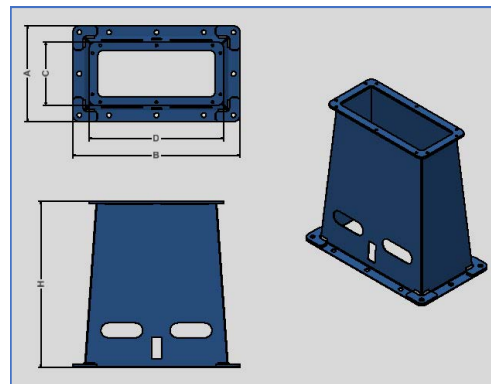
TS700x1000
TS700x560

QTY

COLOR

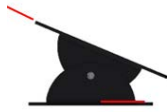
Dimensions for TS Stands

GP Stand	A (mm)	B (mm)	C (mm)	D (mm)	H (mm)
TS700x1000	469	1144	327	1002	700
TS700x560	404	704	267	567	700



PedTec™ Accessories and Integration Application

Clevis Bracket



QTY
 15 Degree
 22.5 Degree
 30 Degree
 45 Degree

Feed Tube Bracket



QTY

I/O Block Cover



QTY
 245 mm (W) x 145 mm (Deep) x150 (H)
 200 mm (W) x 90 mm (Deep) x 85 (H)

90° Gun Mount



Consult with CenterLine Engineering

Cap Dresser Mount



QTY

Welding Gun Information

CenterLine Gun Number

CenterLine Gun

Other Manufacturer Gun (*Please provide 3D Model*)

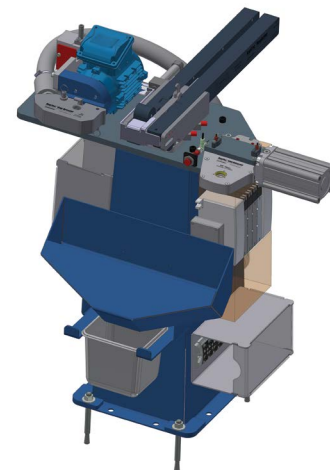
Cap Maintenance Station

Integrate with KapTec™ Cap Maintenance Station
 (*Please complete the KapTec™ Basic Unit Applicaton form*)

Integrate with Other Manufacturer Cap Maintenance Station

Manufacturer

Model Number #



Comments: